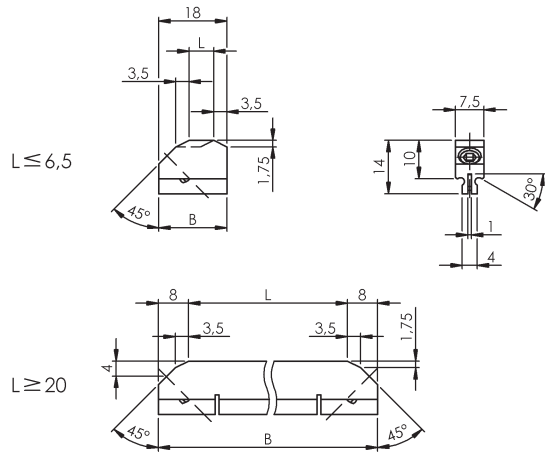


Cam (mechanical)

BNN 520-81-S-40
Order code: BNN003N

BALLUFF
sensors worldwide



■ Linear cam

General attributes

Fine-adjustable No

Electrical attributes

Mechanical attributes

Clamping system Expansion clamp
Foot shape for U-slot
Foot width 4.00 mm
Height above cam tray 10.00 mm
Length B 56.0 mm
Length of switch. surface (L) 40.00 mm

Sensing face material

Style BNN 520-81-S
Surface Bronzed
Surface hardened HRC 63±2
Type Linear cam
Use for cam tray BNL 5308-100-...
BNL 5306-100-...
BNL 5304-080-...

Use for switching distance

Use for switching distance 10 mm
Width of switching area 8 mm
Working principle 7.50 mm
Mechanical